



**Installation guideline for Luna SHP
42x42, 42x68, 42x92, 42x117, 42x140, 40x185**



LUNA SHP

Guideline for Luna SHP installation

Luna SHP installation in indoor and outdoor use with various dimensions.



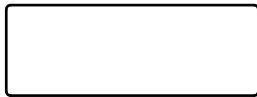
dimensions (mm)	42x42
class	LunaThermo-D
species	Nordic spruce
length (m)	3,0 / 3,6-4,8
joist spacing (mm)	600



dimensions (mm)	42x68
class	LunaThermo-D
species	Nordic spruce
length (m)	3,0 / 3,6-4,2
joist spacing (mm)	600



dimensions (mm)	42x92
class	LunaThermo-D
species	Nordic spruce
length (m)	3,0 / 3,6-5,4
joist spacing (mm)	600



dimensions (mm)	42x117
class	LunaThermo-D
species	Nordic spruce
length (m)	3,0 / 3,6-4,8
joist spacing (mm)	600



dimensions (mm)	42x140
class	LunaThermo-D
species	Nordic spruce
length (m)	3,6-5,4
joist spacing (mm)	600



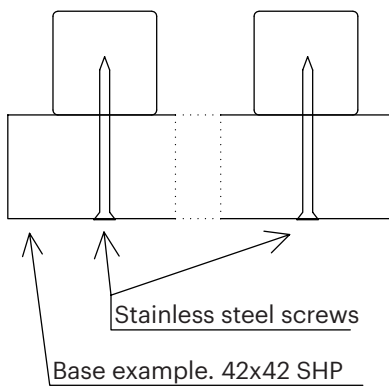
dimensions (mm)	40x185
class	LunaThermo-D
species	Nordic spruce
length (m)	3,0 / 3,6-5,4
joist spacing (mm)	600

LUNA SHP

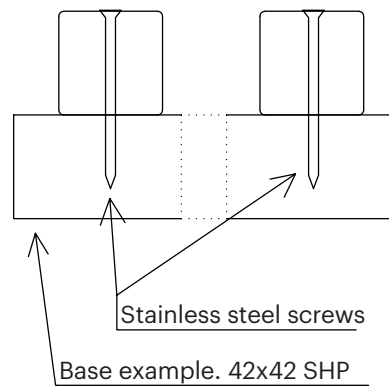
Guideline for Luna SHP installation

Luna SHP installation in indoor and outdoor use with various dimensions.

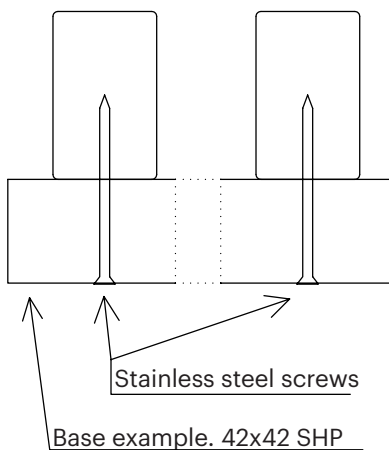
42x42 hidden installation



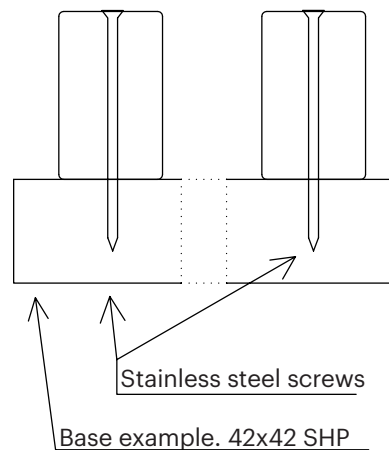
42x42 visible installation



42x68 hidden installation



42x68 visible installation

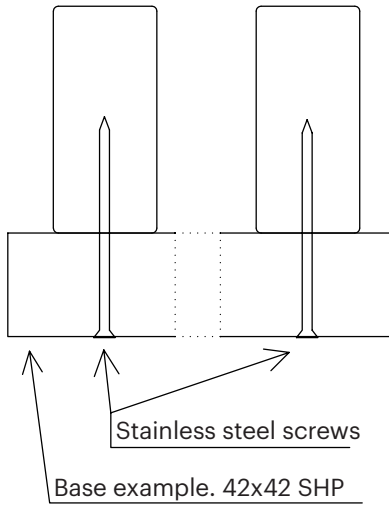


LUNA SHP

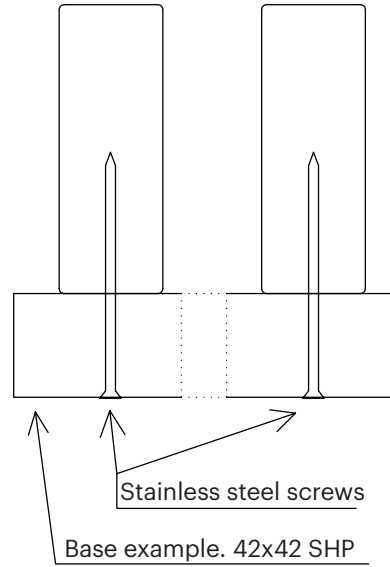
Guideline for Luna SHP installation

Luna SHP installation in indoor and outdoor use with various dimensions.

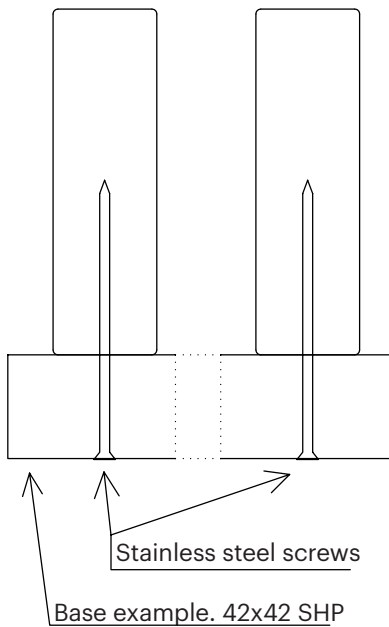
42x92 hidden installation



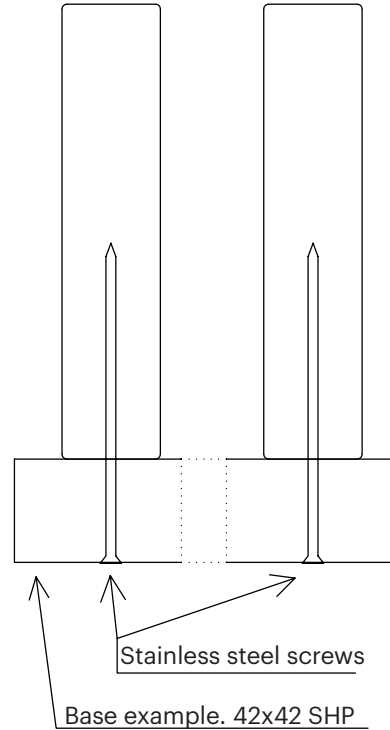
42x117 hidden installation



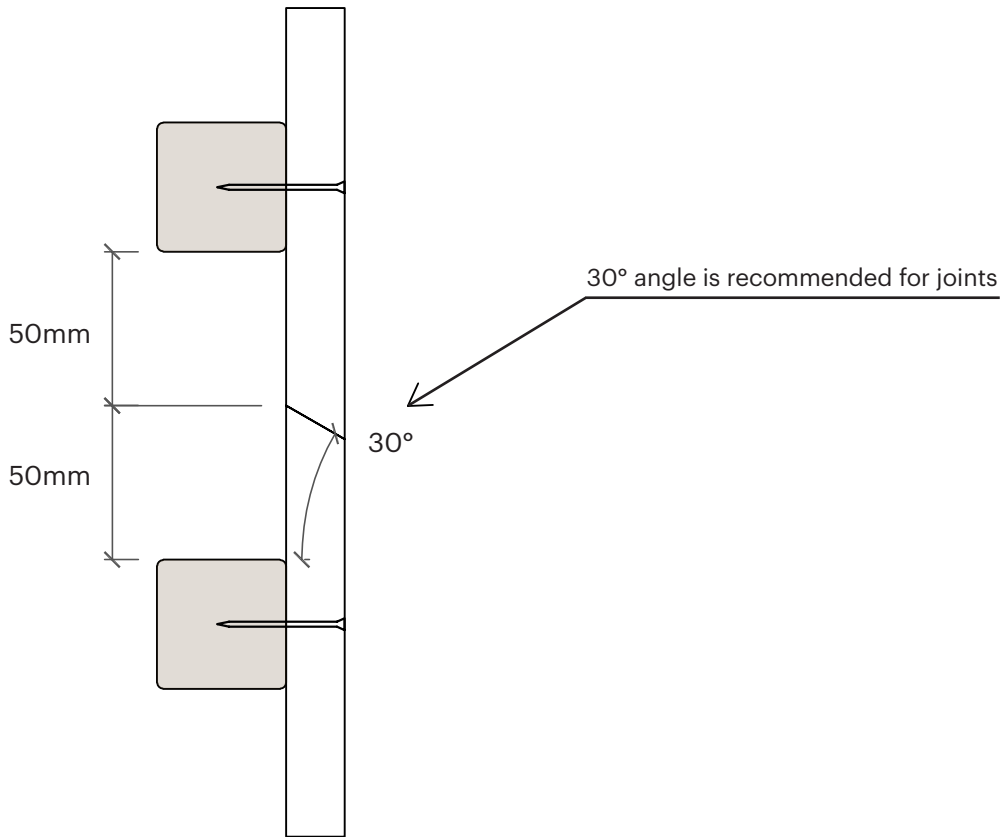
42x140 hidden installation



40x185 hidden installation



General board joint guideline



Fasten nails/screws to the correct depth



This brochure is provided for informational purposes only and no liability or responsibility of any kind is accepted by Lunawood or its representatives, although Lunawood has taken reasonable efforts to verify the accuracy of any advice, recommendation, or information. Lunawood reserves the right to alter its products, product information and product range without prior notice.